

Adfresco® Café Barrier

Patent No. 2472843

Advertise and manage space simultaneously.

Manufactured to our patented design and quality standards, the Adfresco® Café Barrier range combines style, market leading features and performance at an attractive price.

In a choice of styles, sizes and finishes it includes the lower specification Adfresco® LT pole and base to cater for the tighter budget or for indoor/sheltered outdoor use.



Outdoor
Freestanding/Floor Mounted

Stylish, strong and effective –Adfresco® Café Barriers create the perfect space for your customers and brand. Available in polished Stainless Steel or Satin Black.



Stainless Steel showing lower cross rail and sliding ring tether option.

- Premium 3 series polished stainless steel for optimum outdoor life and scratch resistance or tough satin black pole and base for an alternative look.
- 13.5kg x 360mm diameter base provides excellent stability.
- Rubber edged base prevents damage to floors and gives the option to roll rather than lift.
- Option of bottom cross rail for full Equality Act compliance or lower cost bungee tether.
- Flat packed for easy storage and transport.
- Easy to assemble. Spanner included.
- Stainless steel cross rails.
- Choice of banner sizes and materials.

Satin black pole.



Lower cost LT Base and Pole.

- Lower cost and lower performance hardware option.
- 2 series polished stainless steel pole and base.
- Lighter 10.3kg x 360mm diameter base.
- Bottom bungee tether option only.
- Easy to assemble. Spanner included.
- Same choice of high quality banners.



Unique features of Adfresco® Café Barrier:

Designed for easy end of life recycling.



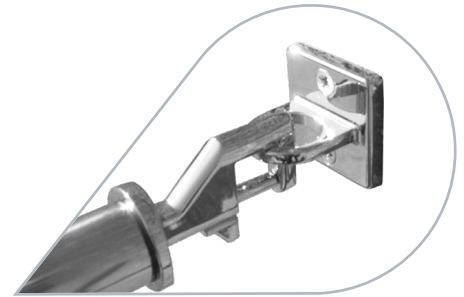
Top/Clip

- Sleek top designed for comfortable lifting, comes with quick release cross rails.
- Supplied with a protective cover to prevent damage in transit.



Adfresco® Sliding Ring

- Unique patented smooth-glide ring allows banner to flex and eliminates wind damage associated with traditional designs.
- Not available with LT.



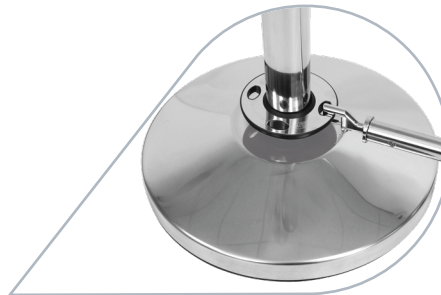
Chrome Plated Eye Plate

- For screw fixing to vertical wall or raised planter.



Adfresco® Base

- Concrete filled 13.5kg rubber edged base provides optimum stability, prevents damage to floors and gives the option to roll rather than lift.



Bottom Cross Rail

- Optional rigid lower cross rail provides audible tap for visually impaired (Equality Act Compliant).
- Not available with LT.



Bungee
Wall Hook

Bungee Connector

- Optional lower bungee connector holds banner taut – a cost effective alternative to a bottom cross rail.
- Prevents over stretching of banner.



Recyclable: stainless steel stanchion, base covers, stainless steel cross bars

Adfresco® Café Barrier - Selection Tool

Adfresco® allows you to individually select the elements to create your perfect Café Barrier - all with market leading features and benefits.

Choose your poles & bases:

Premium Adfresco® Stainless steel



Optimum outdoor life and scratch resistance.

Premium Adfresco® satin black



A popular alternative to Stainless steel.

Budget Adfresco® LT Stainless steel



Reduced specification. Stainless steel and lower bungee tether only.

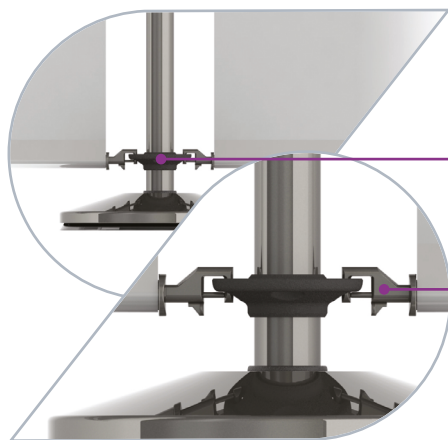
OR

OR

Choose your lower tethering method:

Double cross-rail option

Provides strength, tautness and Equality Act compliance.



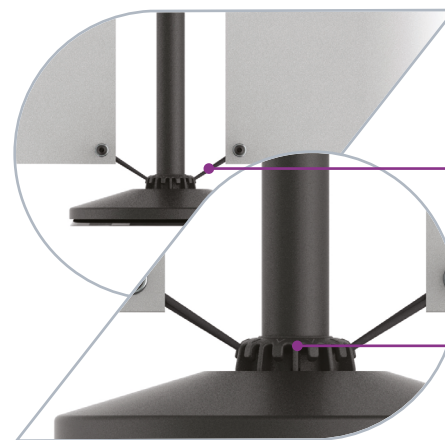
Sliding ring

Lower cross rail & clip

OR

Single cross rail and lower bungee option

Select the bungee pole connector and bungees instead of a second cross rail.

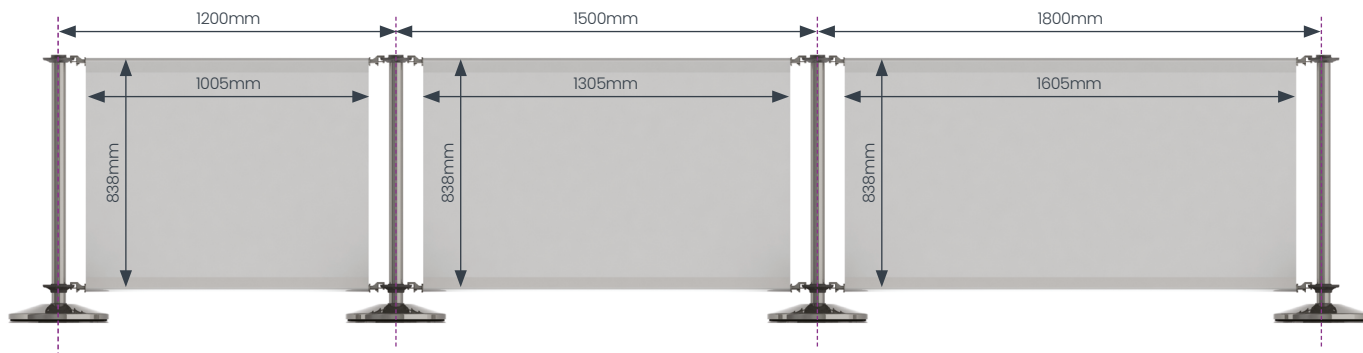


Bungee

Bungee connector

Choose your banner width:

For more exposed locations, such as seafront cafés, shorter banner widths work best.



Choose your banner material:

Light Block PVC 750gsm



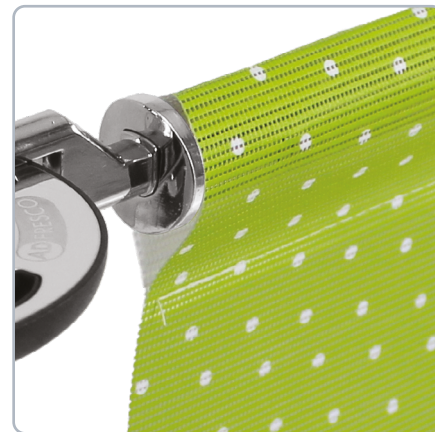
Reinforced and totally opaque, this is perfect for double sided print, long outdoor life and vibrant colour reproduction. The easy wipe clean surface makes it ideal for front of house food and drink environments.

Polyester Canvas 300gsm



This close weave 100% polyester fabric has all the appearance, weight and feel of a traditional canvas yet, unlike cotton based canvases, it is cost effective and will not rot or stain. Available full colour printed to one side with the option of white (unprinted) or single colour on the reverse.

Mesh PVC 380gsm



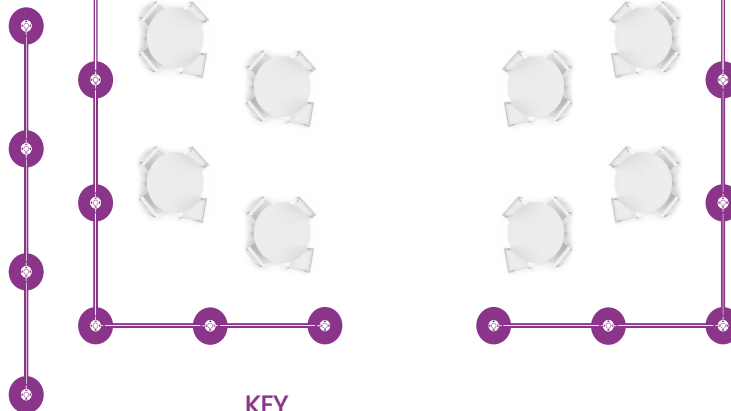
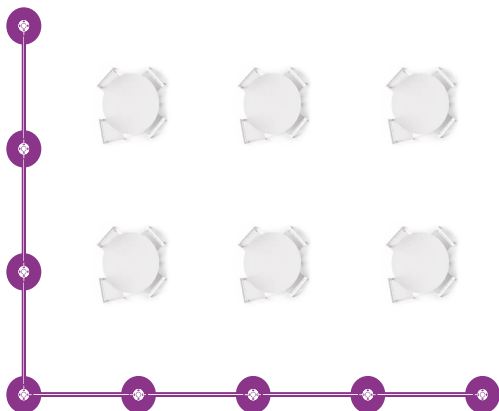
Provides a semi transparent finish and allows some air to pass through making it ideal for windy locations & subtle branding. Full colour print is available on one side (white on reverse).

All of our banners are suitable for outdoor use. To maintain best appearance, occasionally sponge down with warm soapy water. Use ratio: 30ml liquid soap / 10 litres water.

Adfresco® Example Layout

1. 12 poles/bases & 10 cross rails.

2. 10 poles/bases, 2 wall hooks/eye plates & 10 cross rails.



KEY



Adfresco® Base & Pole



Adfresco® Cross Rail & Banner

Choose your Adfresco® hardware:

Item	Dimensions (mm)	Weight (kg)	Order Code
Premium Stainless Steel Pole and Top Ring	Diameter: 113 (Pole Dia. 51mm) Height: 881	1.0	CBBPOLE-SS
Premium Black Steel Pole and Top Ring	Diameter: 113 (Pole Dia. 51mm) Height: 881	1.5	CBBPOLE-BLK
Budget LT Stainless Steel Pole and Top Ring	Diameter: 100 (Pole Dia. 51mm) Height: 881	1.0	CBBPOLE-201
Premium Stainless Steel Base	Diameter: 360 Height: 66	13.5	CBBBASE-SS
Premium Black Base	Diameter: 360 Height: 66	13.5	CBBBASE-BLK
Budget LT Stainless Steel Base	Diameter: 360 Height: 45	10.3	CBBBASE-201
Cross Rail (width refers to distance between pole centres)	Width: 1200	0.8	CBBCLIP-2 + CBBCROSSBAR-2
	Width: 1500	1.1	CBBBARI500-2 + CBBCROSSBAR-2
	Width: 1800	1.2	CBBBARI800-2 + CBBCROSSBAR-2
Sliding Ring	Diameter: 110 Height: 30	0.3	CBBRING
Bungee Pole Connector	Diameter: 94 Height: 26	0.1	CBBBUNGCON
Bungee	Overall length: 100	0.01	CBBBUNGEE2
Eye Plate	40 x 40 x 35 (w x h x d)	0.06	CBBEYEPLATE
Bungee Wall Hook	Diameter: 40	0.06	CBBHOOKPLATE